



## Bullet™ 720 Antenna and Mounting Kit

### Installation

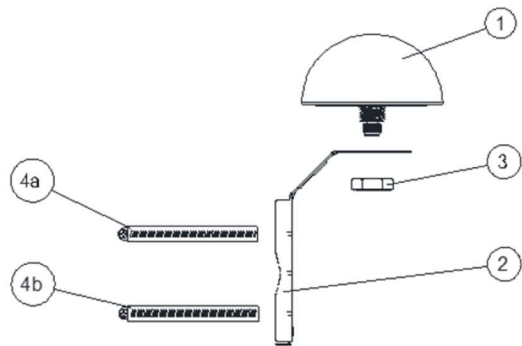
NOTE: Read these instructions before assembling. Follow the sequence for proper assembling and operation

### Antenna and Mounting Kits descriptions

The Bullet 720 antenna is a self-contained GNSS L1+L5 for positioning or timing applications. The mounting kit includes an antenna unit, a mounting bracket, an M22 screw nut, and two steel ties.

The bracket is an accessory for attaching the bullet 720 onto a customer-supplied pole with a diameter ranging from 25 mm to 100 mm (refer to figure 2). The M22 screw nut is used for tightening the bullet 720 onto the bracket. Steel ties are used for tightening the bracket onto the pole.

Figure 1. Overview of Antenna Unit and Mounting kits



### Item Description

1. Bullet 720 Antenna
2. Bracket
3. M22 Screw Nut
- 4a. Steel Tie
- 4b. Steel Tie

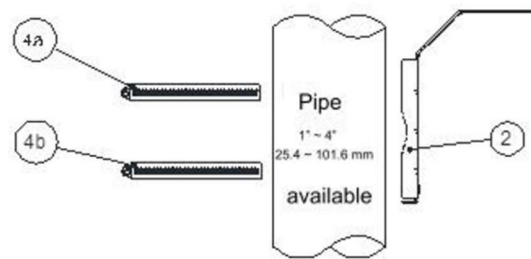


Figure 2. Illustration Of a Possible Pole Diameter

### Tools For Installations

1. Distinct torque scale screwdriver (crosshead) for steel ties (4a & 4b) tightening.
2. Distinct torque scale wrench for M22 screw nut (3) tightening.

### Installing The Mounting Kit

1. Before you mount, be sure that the mounting pole has the correct diameter and is free of any component from previous installation.
2. Attach bracket (2) to the pole using steel ties (4a) & (4b) through the hole of the bracket. Use hole A for steel ties tightening on pole diameters ranging from 1" – 2" (25.4 – 50.8 mm). For a pole diameter ranging from 3" – 4" (76.2 – 101.6 mm), use hole B for steel tie tightening (refer to figure 3).

#### Disclaimer

Protempis does not assume any liability arising out of the application or use of any product described or shown herein nor does it convey any license under its patents, copyrights, or any rights of others. Licenses or any other rights such as, but not limited to, patents, utility models, trademarks or trade names, are neither granted nor conveyed by this document, nor does this document constitute any obligation of the disclosing party to grant or convey such rights to the receiving party.

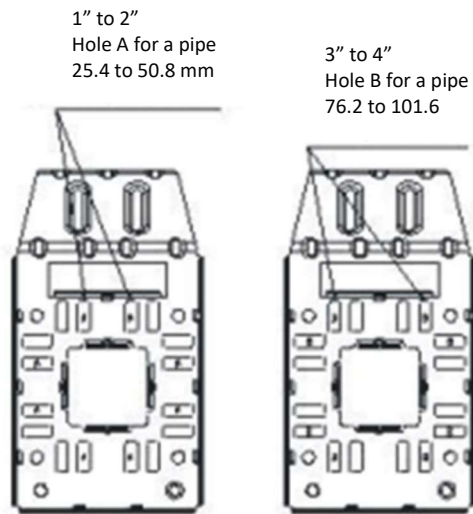


Figure 3. Holes For Steel Tie Tightening

3. Position the bracket at the desired location on the pole. The maximum screw tightening force of the steel ties is 1.5 Nm.
4. Install the GNSS antenna unit on the bracket. Use M22 screw nut (3) for antenna unit tightening. The maximum nut tightening force is 15 Nm (refer to figure 4).

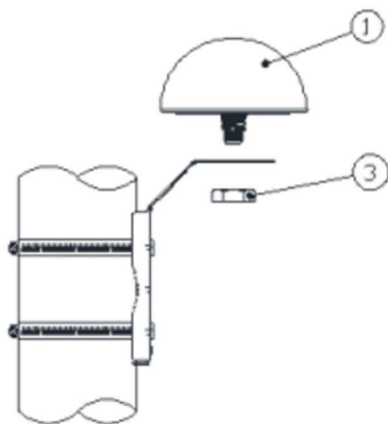


Figure 4. Illustration of M22 screw nut

**CAUTION:** Do not over-tighten the screws and the nut as this could damage the mounting accessory and the antenna.

#### Disclaimer

Protempis does not assume any liability arising out of the application or use of any product described or shown herein nor does it convey any license under its patents, copyrights, or any rights of others. Licenses or any other rights such as, but not limited to, patents, utility models, trademarks or trade names, are neither granted nor conveyed by this document, nor does this document constitute any obligation of the disclosing party to grant or convey such rights to the receiving party.